

# gutta® Canopies



Made  
in  
Germany



**gutta®**

## Strong arguments for a Gutta canopy

### Made in Germany

Our canopies are developed and manufactured almost exclusively at our Anhausen production facility in Rhineland-Palatinate, Germany, meeting the highest quality standards.



TÜV-certified production in accordance with DIN EN 1090-1

### Top materials

We only use high-quality aluminium and stainless steel with stylish and weather-resistant covers made of safety glass or plastic. Everything is rust-free, of course.

### The colours

We only use environmentally friendly colours for the powder coatings. The colours available are listed alongside each model. Canopies in RAL colours are available at a surcharge and have a longer delivery time.

### A wide variety with warranty

Our diverse range of models leaves little to be desired. All canopy models depicted have a 5-year product warranty.

### Simple assembly

Shipments with complete assembly accessories for solid façades and detailed instructions make installation simple!

### Sophisticated design

Various shapes to suit every style and your personal taste. Ingenious solutions for every type of home. Our canopies are the ideal combination of function and design.

### Practical dimensions

Our canopies are available in every conventional standard size, making them suitable for almost every type of front entrance. We also offer individual custom dimensions or colours for certain models.

### Optimum accessories

Various side panel models are available to suit every type of home. Top accessories for individual designs.

## Rectangular canopies



**Rectangular canopy BS Timber-Line**  
Page 5



**Rectangular canopies BS / BS Plus**  
Page 9



**Rectangular canopy BS Plus**  
Page 11



**Rectangular canopy BS Plus posts**  
Page 13



**Rectangular canopy BS Plus XL**  
Page 15



**Rectangular canopy BS**  
Page 17



**Mailboxes for BS and BS Plus**  
Page 18



**Rectangular canopy NM**  
Page 19

## Stainless steel/glass canopies



**Stainless steel canopy HD**  
Page 20



**Stainless steel canopy HD/V**  
Page 21



**Stainless steel canopy HD/L and LT**  
Page 22/23



**Stainless steel canopy HD/LT**  
Page 25

# Product overview

## Shield canopies



Shield canopy PT/ET  
Page 27



Shield canopy PT/L | PT/XL  
Page 29



Shield canopy PT/G  
Page 30



Shield canopy PT/GR  
Page 31



Shield canopy with LED technology  
Page 32



Shield canopy PT Secco  
Page 33



Shield canopy PT/LD  
Page 34



Promo shield canopy  
Page 35

## Arched canopies/gable canopy



Round arch canopy NO  
Page 36



Arched canopy with LED technology  
Page 37



Arched canopy BV Secco  
Page 38



Oval arched canopy OV/B  
Page 39



Arched canopy BV/B  
Page 40



Gable canopy GV/T  
Page 41

## Side panels/accessories



Side panels/accessories  
Page 42/43



Our current recommended retail prices  
can be found on our website at:  
[www.gutta.de/produktwelt/preislisten/](http://www.gutta.de/produktwelt/preislisten/)



or in store

**For a stylish entrance:**  
**Canopy BS Timber-Line**

First impressions count, especially when it comes to your home. The entrance area has a special significance as it showcases your home. Prove your stylistic confidence, taste and eye for the extraordinary:

The BS Timber-Line canopy provides every entrance with an unmistakable character and a configurable, high-quality, classic Bauhaus style. The unique fusion of aluminium, wood and glass (acrylic glass in the roof, glass in the side panel) guarantees a stylish entrance at all times. You also have the choice between three roof widths of 160/200 or 250 cm with a corresponding protective roof surface of 1.44/1.80 or 2.25 square metres.

**Premium finish: Visible top quality**

Top performance in every detail: A distinguished canopy such as the BS Timber-Line requires a premium finish for lasting top quality. This is why we focus on perfection in every detail, ranging from the selection of materials, high-grade components

and the DIN EN 1090-1-certified production to ongoing quality control.

The result is a canopy that permanently elevates the entrance and your home. With a five-year manufacturer warranty, you are literally on the safe side!

**Rectangular canopy BS Timber-Line**

The logical continuation of the successful BS model with a premium finish and integrated wood and glass cover (acrylic glass in the roof, glass in the side panel).

The BS Timber-Line canopy gives every entrance an unmistakable character and a configurable, high-quality, classic Bauhaus style. The unique fusion of aluminium, wood and glass guarantees a stylish entrance at all times.



# Rectangular canopy BS Timber-Line



- ▶ Premium, modern finish
- ▶ Top-class processing
- ▶ High-grade components
- ▶ Aluminium with high-quality powder coating
- ▶ Timber filling with Siberian larch
- ▶ Integrated pipe drainage system
- ▶ Anthracite DB 703 fine structure
- ▶ Custom colours in RAL tones such as anthracite RAL 7016 FS by request
- ▶ Side panel can be mounted on both sides
- ▶ Safety glass (ESG) in the side panel
- ▶ Acrylic glass in the roof

 **Made  
in  
Germany**





### **Aluminium:**

#### **Robustness for a lasting, appealing look**

As a material, aluminium was practically made for the challenging conditions under the open sky. The material is guaranteed rust-proof, can permanently withstand wind, weather and sun exposure and offers the added advantage of a perfect look for many years of use. Aluminium combines high stability and a light weight, for easy handling, simple fastening to the façade and uncomplicated, quick installation. As an added convenience, the fastening set for solid masonry is already included in the scope of delivery!

### **Powder coating:**

#### **How your new showstopper keeps its good looks**

With its distinguished, timelessly elegant dark-grey shade (DB 703 FS), the aluminium frame sets a highly appealing contrast against the warm tone of the wood. The applied fine structure varnish (FS) represents the highest-quality material and provides added bonuses with a particularly appealing look and feel. Features that will last, of course, because thanks to the high-grade powder coating the aluminium design is scratch-resistant, durable and offers resistance against all weather conditions, such as UV radiation, large temperature fluctuations or dampness. After all, something that's visually pleasing should remain so in the long term, which is guaranteed by the BS Timber-Line canopy. You'll permanently enjoy its durable material.

### **Wood:**

#### **For that special, natural look**

Back to nature is the latest trend in construction and design. The BS Timber-Line allows you to express your love of a natural look more elegantly than ever before. The wood provides a warm atmosphere to any entrance. After searching for and assessing many options over a long period, our designers and technicians ultimately opted for Siberian larch, which has an appealing wood tone that will adorn the entrance to your home even in its natural state. Of course, you can also customise the wood elements by oiling, painting or varnishing them with your favourite colour. In any case, the wood is highly weather-resistant, durable and easy to maintain. A piece of pure nature for your home.

### **Safety glass:**

#### **A brilliant view with ultimate robustness**

Glass provides the finishing touch to the BS Timber-Line canopy - the perfect addition to aluminium and wood. Once again, ultimate robustness and reliability are a key feature. The single-pane safety glass used in the side panel is highly scratch, impact and breakage resistant, meaning you can enjoy a special canopy with a brilliant view through its high-quality glass in the long term. The head section is made of high-grade, transparent and durable acrylic glass.

### **Rain drainage:**

#### **Concealed and simply good**

Reliable rain water drainage is a must-have, even on a canopy. Unsightly pipes that impair the high-quality overall look aren't necessary, however, which is why the BS Timber-Line once again provides the perfect solution: The water drain is invisibly integrated in the side panel for a secure function and a flawless look. An additional drainage option is also included in the scope of delivery in the form of a water spout, which is suitable for a canopy without a side panel.

# Rectangular canopy BS Timber-Line



## Technical data

### Design/materials

Support frame	Aluminium EN AW 6063 T66
Wood	Siberian larch 75 x 20 mm
Frame surface	Powder-coated DB 703 FS
Cover panel roof	Acrylic glass 4 mm
Cover panel side panel	Safety glass (ESG) 4 mm
Load capacity	Snow load zone 2 (86.6 kg/m <sup>2</sup> )
Drainage	Water spout and/or integrated water drainage in side panel

### Dimensions and weights

Depth roof/side panel	90 cm
Roof widths	160 cm, 200 cm, 250 cm
Height of side panel	220 cm
Thickness of roof/side panel	12.5 cm
Weight of roof 160	approx. 30.7 kg
Weight of roof 200	approx. 38.4 kg
Weight of roof 250	approx. 48.0 kg
Weight of side panel 220	approx. 41.6 kg

**Part numbers** 7600103 - 7600112

View video



## Rectangular canopies with side panel in a “cubic” design

The Bauhaus style is back. Clear, straight lines and shapes that focus on the essential are making an impressive comeback. The classic becomes a lifestyle once again. Older buildings in a fitting look are in equally high demand as new builds with cubic designs. With our new rectangular canopy, you can place the icing on the cake at your home and give the entrance a classic and modern design. The rectangular canopy with its distinguished look provides your home with a stylish and trendy look in no time. The canopy in its on-trend design is available in three standard widths of 160, 200 and 250 cm either with or without a side panel.

### New to the range:

The BS Plus models with custom dimensions of up to 300 cm in width, with posts and the XL models with a depth of 125 cm.

The canopies are additionally filled with EPS insulation panels so that any rain on the canopy can no longer cause disturbing noises.

Another bright idea for both variants is the integrated, bright LED light which excellently

illuminates your entrance in the long run with minimum energy consumption. There is therefore no need for additional outdoor lighting.

The design superstars among our canopies become even more effective with the addition of attractive and versatile side panels, which can be ordered with a built-in mailbox and with or without a doorbell. This turns the entrance into an attractive, multi-functional space.

### Drainage

Rainwater is drained off to the side via a strip in the BS canopy models. The BS Plus models feature an integrated drainage system that allows water to drain through a downpipe in the post or through the side panel.



LED light technology:  
Environmentally friendly & cost-cutting

### LED Panel:

Output:	1 x 12W
Light colour:	2700K warm white
Dimensions:	165 x 165 mm
Frame:	Matt chrome
Light flux:	780 lm
Lamp	
service life:	up to 30,000 h
IP protection:	IP44 ceiling fitting
Protection class:	Protection class II
Energy efficiency class:	F (Spectrum A-G, from Sept. '21)

View video



► BS Plus 300\* with right side panel and integrated mailbox BK Fuka 165 stainless steel

\* The exterior of the roof and side panel of the BS Plus 300 come in three parts due to production but are delivered fully assembled. However, two slim, dark silicone joints remain visible, which cannot be avoided even with the custom colours. The front panels are continuous.



## Rectangular canopy BS Plus and BS

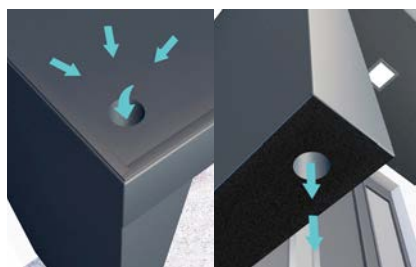


## Rectangular canopies BS Plus with integrated drainage system

The rain water drainage varies depending on the model:



1. Roof duct with water spout



2. Roof duct and downpipe in the side panel

### Technical data

#### Design/materials

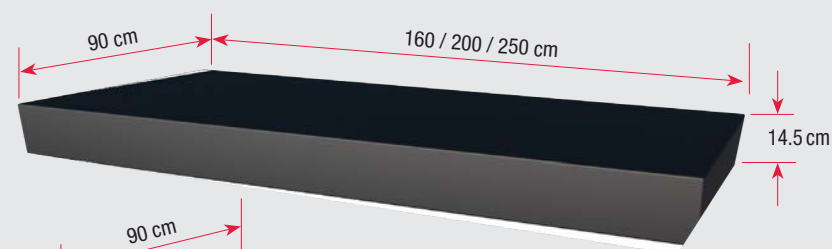
Support frame	Aluminium EN AW 6063 T66
Surface	Powder-coated DB 703 fine structure
Custom colours	RAL or DB
Load capacity	up to 150 kg/m <sup>2</sup> snow load
Drainage	Water spout and or/integrated water drain in the side panel

#### Dimensions and weights

Roof/side panel depth	90 cm
Roof widths	160 cm, 200 cm, 250 cm
Height of side panel	220 cm
Thickness of roof/side panel	14.5 cm
Weight of roof 160	approx. 30 kg
Weight of roof 200	approx. 38 kg
Weight of roof 250	approx. 48 kg
Weight of side panel 220	approx. 40 kg
Custom dimensions roof	161 to 300 cm width
Custom dimensions side panel	221 to 300 cm

#### Part numbers

**7500503 - 7501372** up to 250 cm width  
**7501483 - 7501591** over 250 cm width



► BS 200 Plus with water spout



# Rectangular canopy BS Plus

- ▶ BS 200 Plus with right side panel and integrated mailbox BK Fuka 165 stainless steel

- ▶ Trendy Bauhaus style with straight lines and shapes
- ▶ Top quality made in Germany
- ▶ Aluminium with high-quality powder coating
- ▶ Integrated pipe drainage system
- ▶ Side panels either left or right
- ▶ 160, 200 and 250 cm width
- ▶ Anthracite DB 703 fine structure
- ▶ Custom dimensions and custom colours in RAL colours such as anthracite RAL 7016 FS by request
- ▶ Roof elements with integrated EPS insulation boards
- ▶ Optimised installation time through pre-assembly
- ▶ Bright LED lighting (2700 K warm white)
- ▶ up to 150 kg snow load

Find additional information, tips and explanations on YouTube:



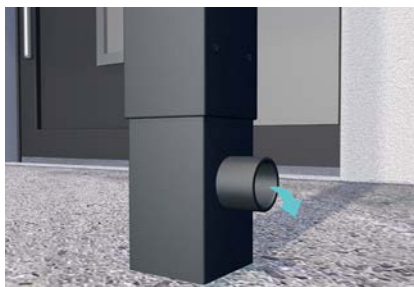
 Made  
in  
Germany



## Rectangular canopies BS Plus with posts and integrated drainage



Roof duct with water drainage in the post



Downpipe in the post  
Spout can be installed in any direction



### Technical data

#### Design/materials

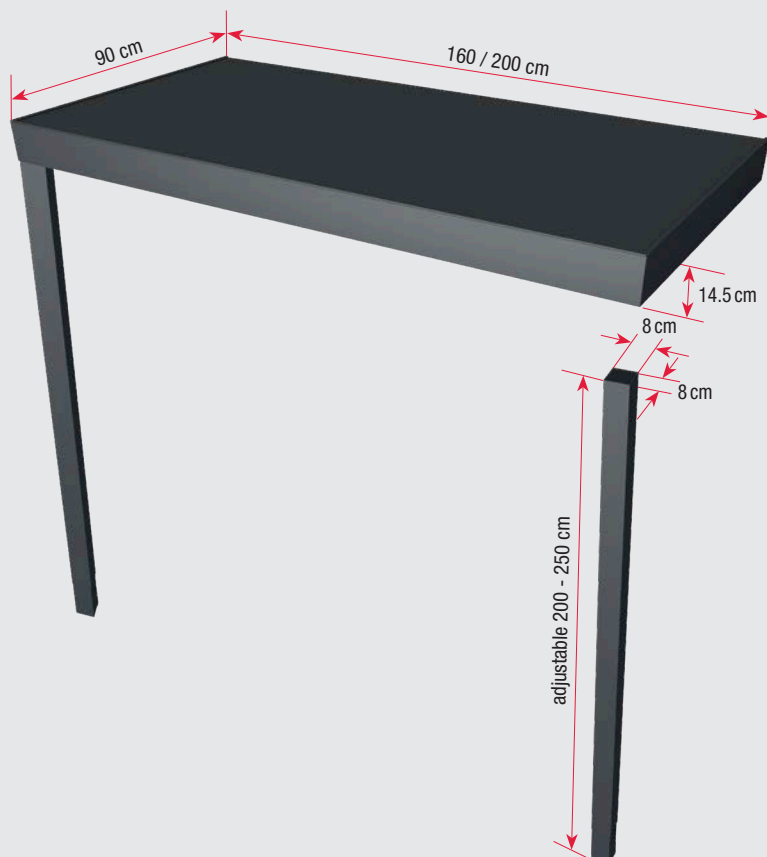
Support frame	Aluminium EN AW 6063 T66
Surface	Powder-coated DB 703 fine structure
Custom colours	RAL or DB
Load capacity	up to 150 kg/m <sup>2</sup> snow load
Drainage	integrated in posts

#### Dimensions and weights

Roof widths	160 cm or 200 cm
Roof depth	90 cm
Roof thickness	14.5 cm
Post dimensions	8 x 8 x 200-250 cm (height adjustable)
Weight of roof 160 incl. posts	approx. 42 kg
Weight of roof 200 incl. posts	approx. 50 kg
Custom dimensions roof	161 to 250 cm width

#### Part numbers

**7500703 - 7500772**



# Rectangular canopy BS Plus with posts



▶ BS 200 Plus  
with 2 posts

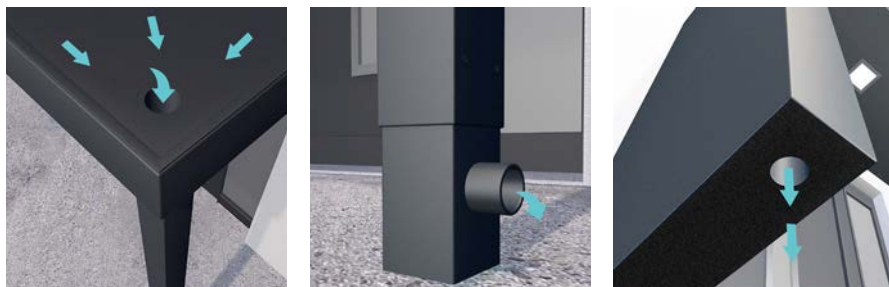
▶ High-quality powder coating with fine structure on all BS canopies  
Attractive, resistant and highly durable

- ▶ Trendy Bauhaus style with straight lines and shapes
- ▶ Top quality made in Germany
- ▶ Aluminium with high-quality powder coating
- ▶ 160 or 200 cm width with 2 posts / 90 cm depth (custom dimensions available up to 250 cm width)
- ▶ Filigree posts with integrated water drain (either left or right)
- ▶ Anthracite DB 703 fine structure
- ▶ Custom colours in RAL colours such as anthracite RAL 7016 FS by request
- ▶ Roof elements with integrated EPS insulation boards
- ▶ Optimised installation time through pre-assembly
- ▶ Bright LED lighting (2700 K warm white)
- ▶ up to 150 kg snow load

Made  
in  
Germany



## Rectangular canopies BS Plus XL with posts and integrated drainage



Roof duct with water drainage in the post (only in version with 2 posts) or in side panel

### Technical data

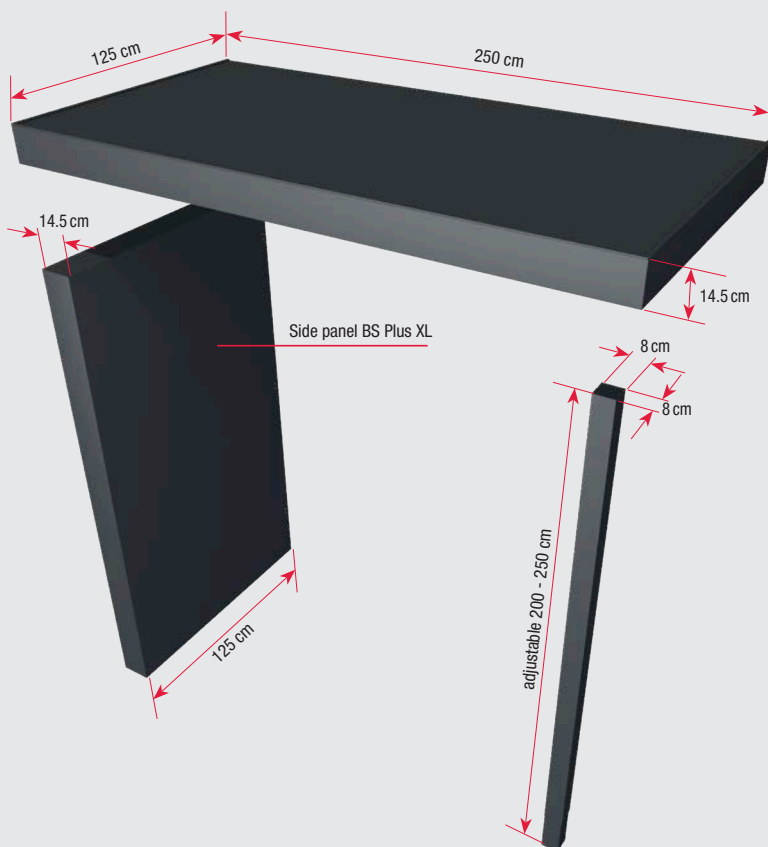
#### Design/materials

Support frame	Aluminium EN AW 6063 T66
Frame surface	Powder-coated DB 703 fine structure
Custom colours	RAL or DB
Load capacity	up to 150 kg/m <sup>2</sup> snow load
Drainage	Through post or side panel (on version with side panel always in side panel)

#### Dimensions and weights

Depth of roof/side panel	125 cm
Roof width	250 cm
Height of side panel	220 cm
Thickness of roof/side panel	14.5 cm
Length of posts	200-250 cm adjustable
Post profile	8 x 8 cm
Custom dimensions	No custom dimensions available on BS XL
Roof weight with 2 posts	approx. 78 kg
Roof weight with side panel and posts	approx. 127 kg

**Part numbers** 7500803 - 7500832 / 7501387 - 7501468



► BS Plus XL with posts and side panel  
Mailbox UP10-110 stainless steel V2A



► BS Plus XL with 2 posts



# Rectangular canopy BS Plus XL



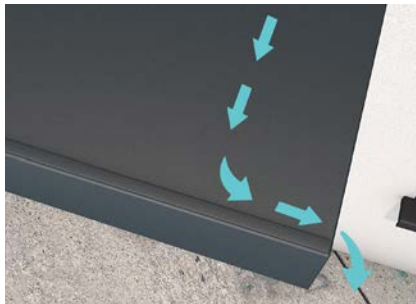
- ▶ Trendy Bauhaus style with straight lines and shapes
- ▶ Top quality made in Germany
- ▶ Aluminium with high-quality powder coating
- ▶ 250 x 125 cm (W x D) - no custom dimensions available
- ▶ 2 posts or 1 post and side panel
- ▶ Water drain in a post or side panel (on version with side panel always in side panel)
- ▶ Anthracite DB 703 fine structure
- ▶ Custom colours in RAL colours such as anthracite RAL 7016 FS by request
- ▶ Roof elements with integrated EPS insulation boards
- ▶ Optimised installation time through pre-assembly
- ▶ Bright LED lighting (2700 K warm white)
- ▶ up to 150 kg snow load

 Made  
in  
Germany



## Rectangular canopies BS series

with overflow moulding and water drainage to the side



Rain water is caught by the front overflow moulding and is drained off to the side.



### Technical data

#### Design/materials

Support frame	Aluminium EN AW 6063 T66
Surface	Powder-coated DB 703 fine structure
Custom colours	RAL or DB
Load capacity	up to 150 kg/m <sup>2</sup> snow load
Drainage	Overflow moulding at front with water drainage to the side

#### Dimensions and weights

Depth of roof/side panel	90 cm
Roof widths	160 cm, 200 cm, 250 cm
Height of side part	220 cm
Thickness of roof/side panel	14.5 cm
Weight of roof 160	approx. 30 kg
Weight of roof 200	approx. 38 kg
Weight of roof 250	approx. 48 kg
Weight of side panel 220	approx. 40 kg
Custom dimensions roof	161 to 300 cm width
Custom dimensions side panel	221 to 300 cm

**Part numbers** 7500003 - 7500427



► BS 200





▶ BS 200 with side panel

## Rectangular canopy BS



Find additional information, tips and explanations on YouTube:



**Made  
in  
Germany**



- ▶ Trendy Bauhaus style with straight lines and shapes
- ▶ Top quality made in Germany
- ▶ Aluminium with high-quality powder coating
- ▶ Side panel can be mounted either left or right
- ▶ 160, 200 and 250 cm width
- ▶ Anthracite DB 703 fine structure
- ▶ Custom dimensions and custom colours in RAL colours such as anthracite RAL 7016 FS available by request
- ▶ Roof elements with integrated EPS insulation boards
- ▶ Optimised installation time through pre-assembly
- ▶ Bright LED lighting (2700 K warm white)
- ▶ up to 150 kg snow load

# Mailbox systems for BS series



▶ BKA Fuka-165  
stainless steel V2A

- ▶ Pre-installed in the side panel
- ▶ Top quality made in Germany
- ▶ Simple mailbox or system with bell and preparation for intercom system
- ▶ Anthracite DB 703 or brushed stainless steel V2A
- ▶ No thermal bridges through installation in wall

**Made  
in  
Germany**

**BK Fuka-165 stainless steel V2A**

**BK Fuka-165 anthracite DB 703**



With bell and preparation for intercom system  
Frame, flap and door stainless steel, galvanised sheet steel housing

Exterior dimensions: 43.2 x 55.8 cm  
Box dimensions: 37 x 49.6 x 10 cm  
Letter slot dimensions: 32.5 x 3.5 cm



With bell and preparation for intercom system. Frame and flap aluminium powder-coated anthracite DB 703. Galvanised sheet steel housing and door

Exterior dimensions: 41.7 x 53.8 cm  
Box dimensions: 37 x 49.6 x 10 cm  
Letter slot dimensions: 32.5 x 3.5 cm

**UP10-110 stainless steel V2A**

**UP10-110 anthracite DB 703**



Frame, flap and door stainless steel  
Galvanised sheet steel housing

Exterior dimensions: 43.2 x 39.2 cm  
Box dimensions: 37 x 33 x 10 cm  
Letter slot dimensions: 32.5 x 3.5 cm



Frame and flap aluminium powder-coated anthracite DB 703 Galvanised sheet steel housing and door

Exterior dimensions: 41.2 x 37.2 cm  
Box dimensions: 37 x 33 x 10 cm  
Letter slot dimensions: 32.5 x 3.5 cm

# Rectangular canopy NM



▶ NM 150 anthracite

## Rectangular canopy NM

The classic rectangular canopy, available in two widths, harmoniously blends in with various façades.

The lower cover of the aluminium frame consists of white plastic panels. The canopy NM features integrated drainage with two drains.

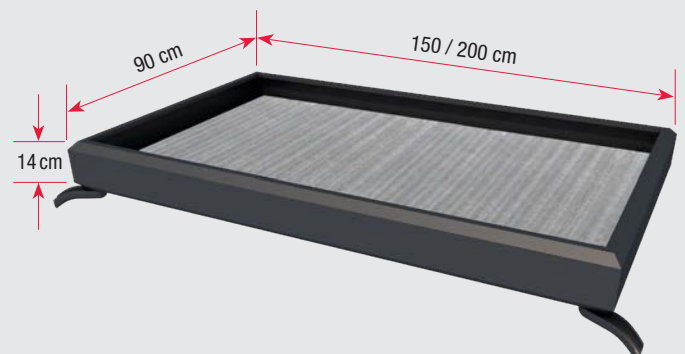
### Technical data

<b>Rectangular canopy NM 150</b>	Dimensions	150 x 90 x 14 cm
	Weight	14 kg

<b>Rectangular canopy NM 200</b>	Dimensions	200 x 90 x 14 cm
	Weight	16 kg

Colours all models	Frame	white or anthracite
	Panels	white

<b>Part numbers</b>	<b>7210703 - 7210716</b>
---------------------	--------------------------



Made  
in  
Germany



▶ NM 200 white

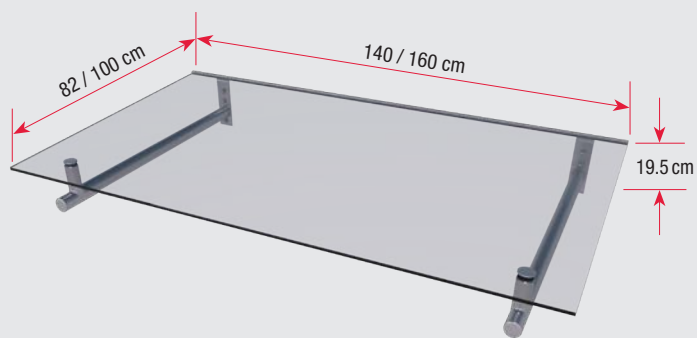


- ▶ Powder-coated aluminium frame
- ▶ Lower cover made of plastic panels
- ▶ Pre-assembled
- ▶ Contains mounting materials for solid masonry
- ▶ Integrated drainage with water spouts
- ▶ 75 kg/sq m snow load tested
- ▶ Custom dimensions up to 250 cm or custom colours available
- ▶ Matching side panels B1 acrylic, B1 twinwall sheets or B2 twinwall sheets (page 42/43)

# Stainless steel canopy HD



▶ HD 160



## Stainless steel canopy HD

A true showstopper with its combination of stainless steel supports and a cover made of clear laminated safety glass!

This canopy gives your entrance a unique look with its elegant, straight-lined design. Its stable structure makes the HD canopy highly robust and resilient.

### Technical data

<b>Stainless steel canopy HD 140</b>	Dimensions	140 x 82 x 19.5 cm
	Cover	LSG 8 mm clear
	Weight	34 kg

<b>Stainless steel canopy HD 160</b>	Dimensions	160 x 100 x 19.5 cm
	Cover	LSG 10 mm clear
	Weight	54 kg

**Part numbers**                      **7200103 - 7200106**

- ▶ Original stainless steel supports
- ▶ Cover made of laminated safety glass (LSG)
- ▶ Contains mounting materials for solid masonry
- ▶ 100 kg/sq m snow load tested
- ▶ Matching side panel HD (Page 42/43)



Made  
in  
Germany



▶ HD 140

▶ HD/V 160 frosted



## Stainless steel canopy HD/V

### Stainless steel canopy HD/V

A distinguished and highly stable support structure with a cover made of clear or frosted laminated safety glass!

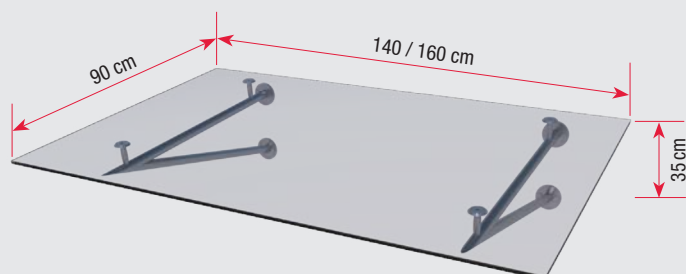
This canopy gives your entrance a unique look with its appealing design. Its stable structure makes the HD canopy highly robust and resilient.

#### Technical data

Stainless steel canopy HD/V 140	Dimensions	140 x 90 x 35 cm
	Cover	LSG 10 mm clear
	Weight	38.5 kg

Stainless steel canopy HD/V 160	Dimensions	160 x 90 x 35 cm
	Cover	LSG 10 mm clear or frosted
	Weight	43 kg

**Part numbers**                    **7400003 - 7400009**



▶ HD/V 140 clear

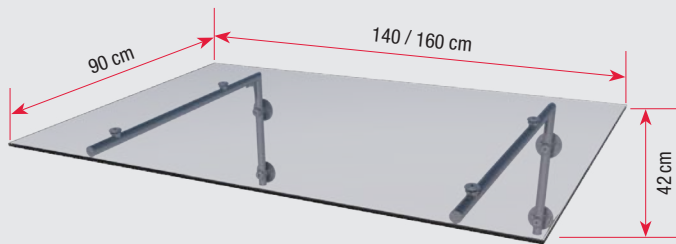


- ▶ Original stainless steel supports
- ▶ Cover made of laminated safety glass (LSG)
- ▶ Contains mounting materials for solid masonry
- ▶ 100 kg/sq m snow load tested
- ▶ Matching side panel HD (Page 42/43)



▶ HD/L 160 clear

## Stainless steel canopy HD/L



▶ adjustable wall brackets

### Stainless steel canopy HD/L

Classic and sturdy L-shaped support structure with a cover made of clear or frosted laminated safety glass!

With its height-adjustable wall bracket, the HD/L is particularly adaptable to individual structural requirements, such as pre-existing wooden beams or concrete lintels.

#### Technical data

<b>Stainless steel canopy HD/L 140</b>	Dimensions	140 x 90 x 42 cm
	Cover	LSG 10 mm clear
	Weight	38.5 kg

<b>Stainless steel canopy HD/L 160</b>	Dimensions	160 x 90 x 42 cm
	Cover	LSG 10 mm clear or frosted
	Weight	43 kg

**Part numbers** 7400012 - 7400018

- ▶ Original stainless steel supports
- ▶ Cover made of laminated safety glass (LSG)
- ▶ Contains mounting materials for solid masonry
- ▶ 100 kg/sq m snow load tested
- ▶ Matching side panel HD (Page 42/43)



▶ HD/L 140 clear



# Stainless steel canopy HD/LT

## Stainless steel canopy HD/LT

Delicate yet solid stainless steel supports with a cover made of clear or frosted laminated safety glass!

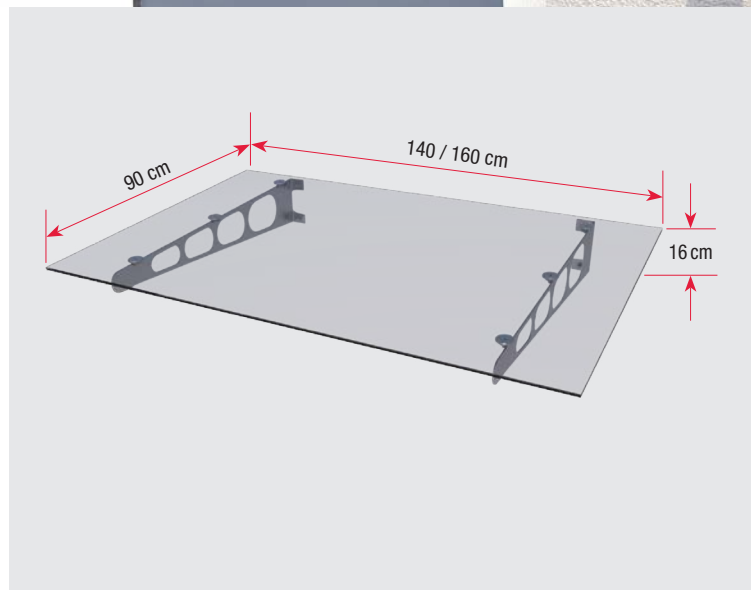
The modern, light appearance of the HD/LT gives your entrance a new touch and harmoniously blends into the overall look with its timeless design.

### Technical data

**Stainless steel canopy HD/LT 140**    Dimensions 140 x 90 x 16 cm  
 Cover    LSG 8 mm clear  
 Weight    32.2 kg

**Stainless steel canopy HD/LT 160**    Dimensions 160 x 90 x 16 cm  
 Cover    LSG 8 mm clear or frosted  
 Weight    35.8 kg

**Part numbers**                    **7400021 - 7400027**



- ▶ Original stainless steel supports
- ▶ Cover made of laminated safety glass (LSG)
- ▶ Contains mounting materials for solid masonry
- ▶ 100 kg/sq m snow load tested
- ▶ Matching side panel HD (Page 42/43)



## Glass canopy LED

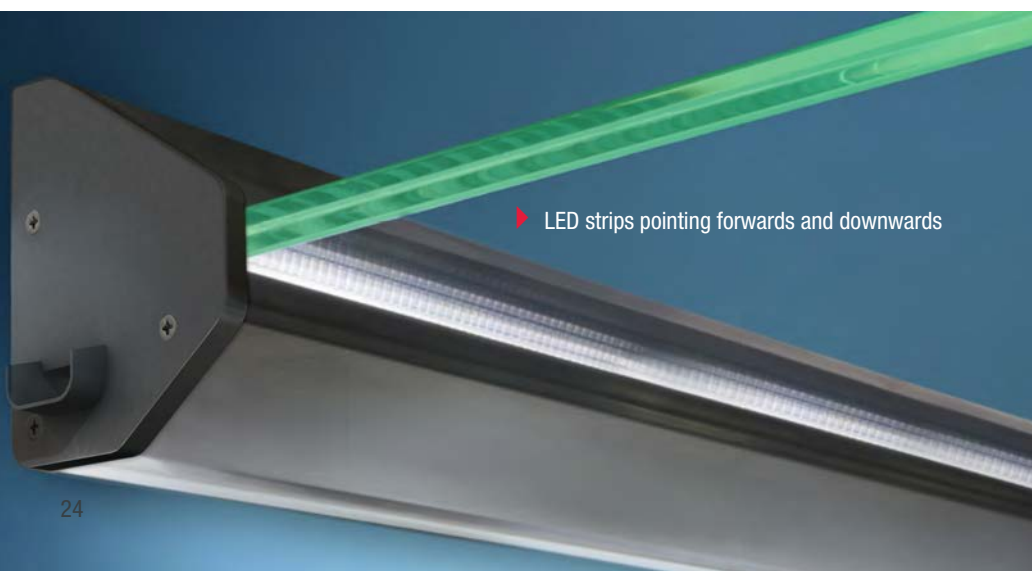
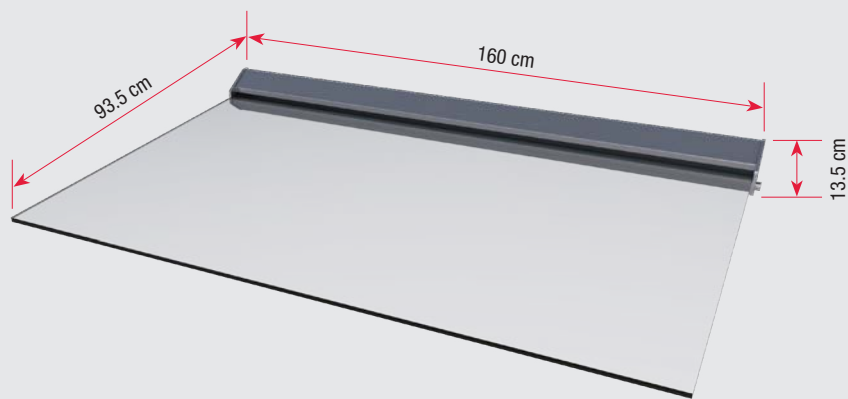
An elegant and timeless look with exceptional robustness and durability. Premium quality for the highest requirements!

The high-quality design is impressive even during the day. The glass canopy becomes a truly eye-catching feature of your façade in the dark with sophisticated LED lighting that combines practicality with an unmistakable design.

One strip is pointed downwards onto the entrance area, providing even illumination.

The second strip lights up the two 8 mm-thick glass panels, creating a unique highlight and an ingenious interplay of light and shadow.

The distinctive green edges of the two connected glass plates are a particularly striking feature that literally radiates light.



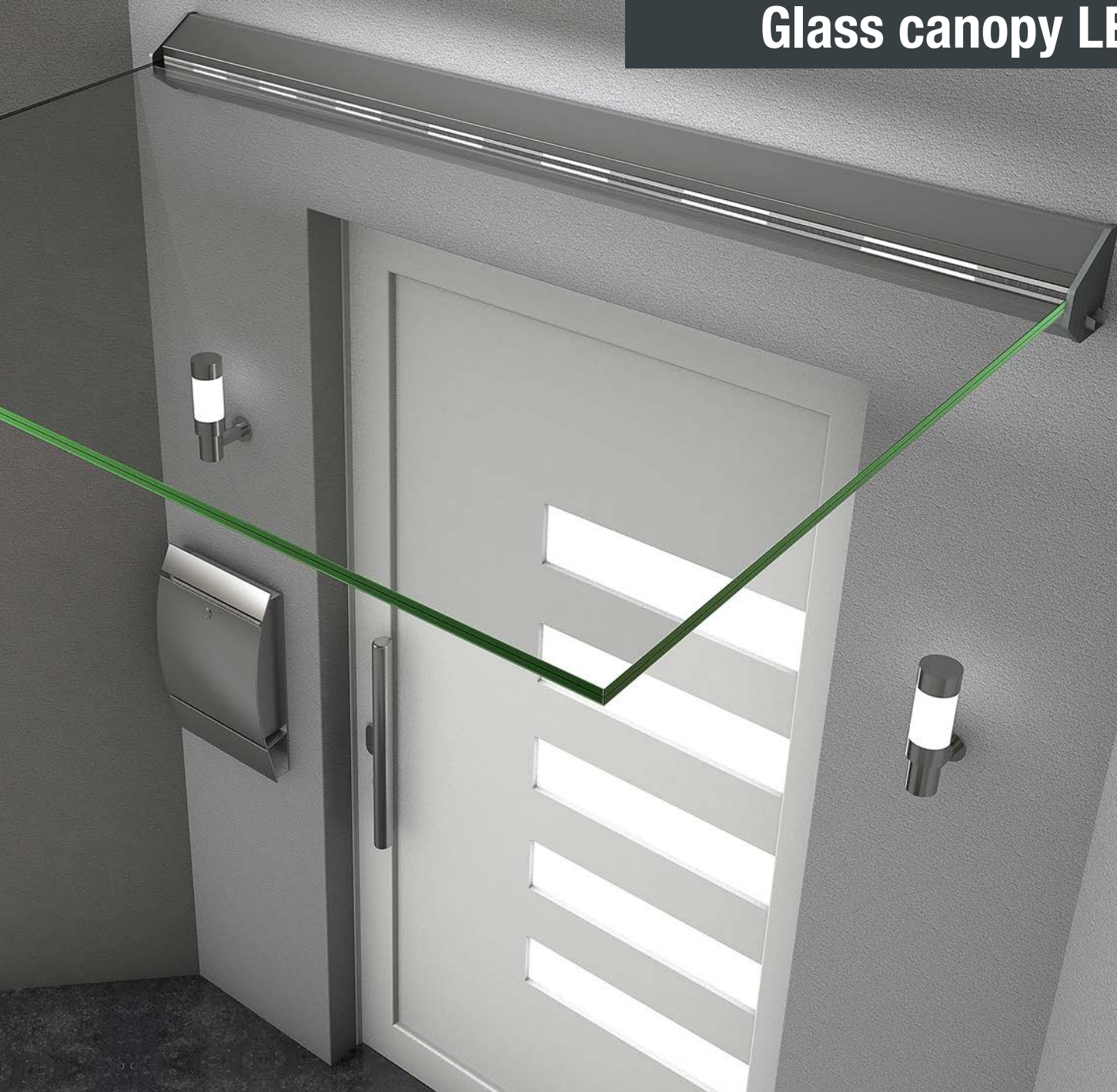
**LED light technology**

**Energy efficiency class G**

Environmentally friendly & cost-cutting



# Glass canopy LED



## Technical data

Dimensions	160 x 93.5 x 13.5 cm
Cover	LSG 2 x 8 mm clear
Bracket	Aluminium silver
Weight	92 kg
Part number	7410003

- ▶ Premium quality for the highest demands
- ▶ 2 x 8 mm thick laminated safety glass (LSG)
- ▶ Effective and energy-saving LED light
- ▶ Illuminated green glass edges
- ▶ 150 kg/sq m snow load tested
- ▶ Matching side panel HD (page 42/43)

 Made  
in  
Germany

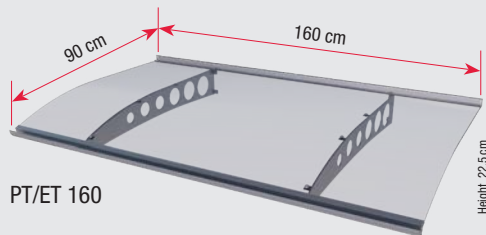




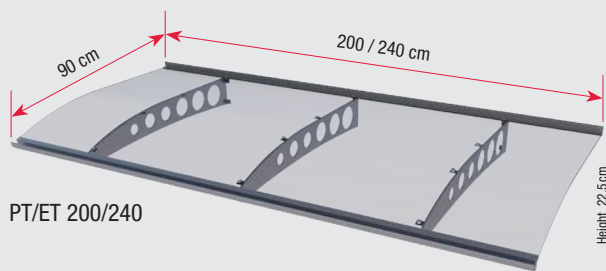
▶ PT/ET 160



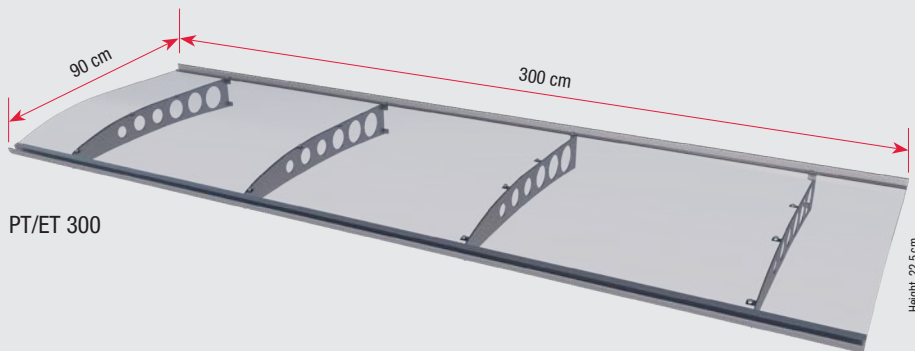
▶ PT/ET 200/240



PT/ET 160



PT/ET 200/240



PT/ET 300



▶ PT/ET 300

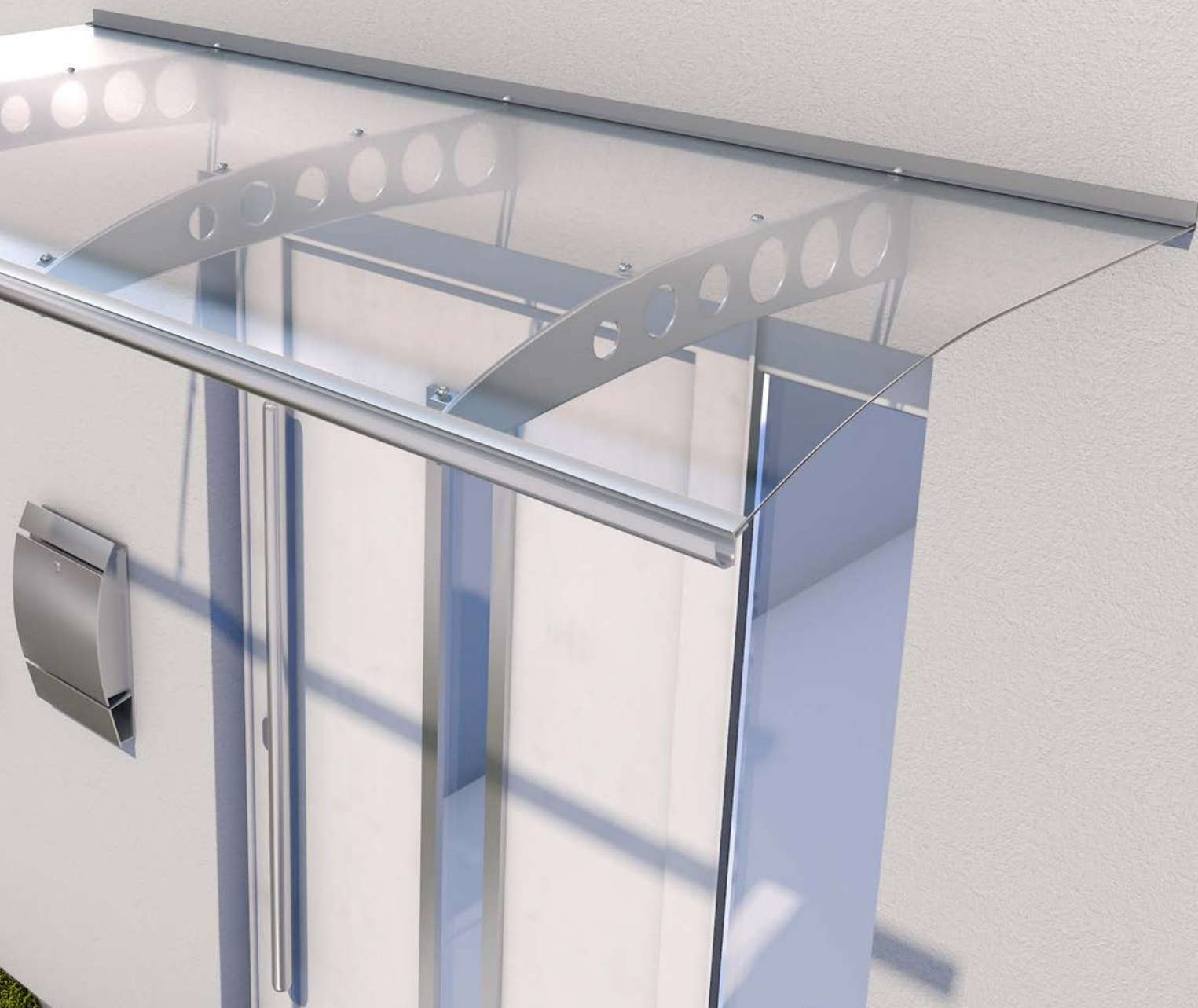
## Shield canopy PT/ET

The PT/ET is a high-grade, slightly curved shield canopy in four different widths.

The mixture of high-quality stainless steel, silver anodised aluminium and clear acrylic glass gives the PT/ET a high degree of durability in addition to an elegant look.



# Shield canopy PT/ET



## Technical data

**Shield canopy PT/ET 160** (2 support arms)      Dimensions 160 x 90 x 22.5 cm  
Weight 15 kg

**Shield canopy PT/ET 200** (3 support arms)      Dimensions 200 x 90 x 22.5 cm  
Weight 20 kg

**Shield canopy PT/ET 240** (3 support arms)      Dimensions 240 x 90 x 22.5 cm  
Weight 24 kg

**Shield canopy PT/ET 300** (4 support arms)      Dimensions 300 x 90 x 22.5 cm  
Weight 28 kg

Cover all models      Acrylic glass 4 mm clear

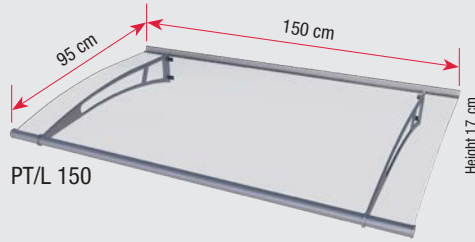
**Part numbers**      **7200403 - 7200412**

- ▶ **Stainless steel supports, gutter and wall connection made of silver anodised aluminium**
- ▶ **Transparent acrylic glass cover**
- ▶ **Available in four widths or custom dimensions**
- ▶ **75 kg/sq m snow load tested**
- ▶ **Contains mounting materials for solid masonry**
- ▶ **Matching side panel PT/ET (page 42/43)**
- ▶ **Optional connecting set for 2 or more canopies**

▶ PT/L 150 clear

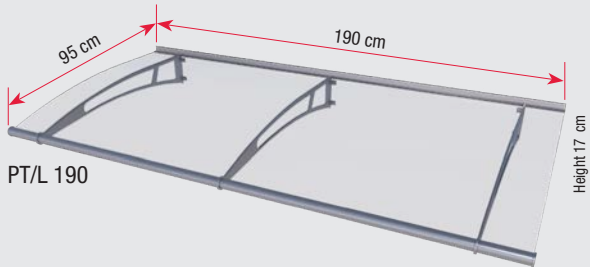


▶ PT/L 190 white satin



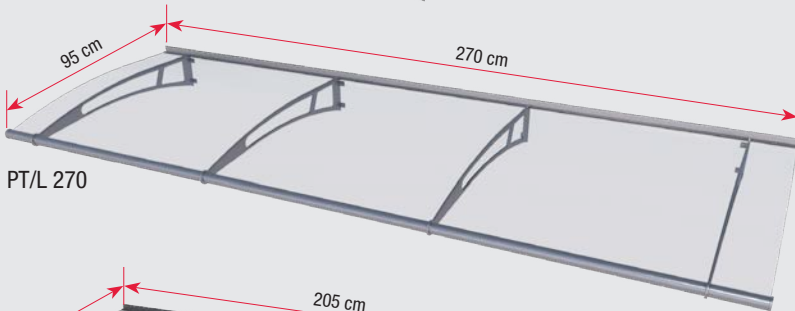
PT/L 150

Height 17 cm



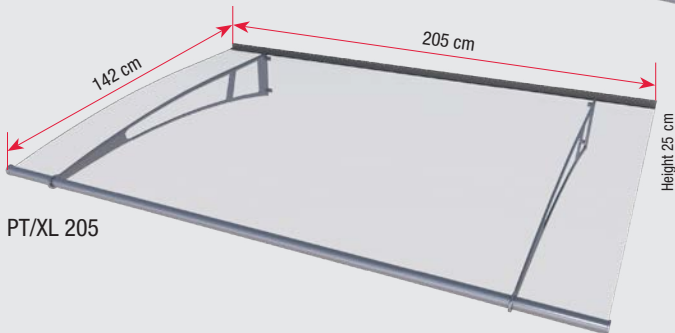
PT/L 190

Height 17 cm



PT/L 270

Height 17 cm



PT/XL 205

Height 25 cm

▶ PT/XL 205 white satin



## Shield canopy PT/L | PT/XL

The filigree design gives your entrance a new touch and harmoniously blends into the overall look with its timeless design.

High-quality stainless steel brackets ensure a sturdy structure that offers protection against rain, wind and snow combined with the weather and UV-resistant acrylic glass cover.

## Shield canopy PT/L | PT/XL

### Technical data

**Shield canopy PT/L 150** Dimensions 150 x 95 x 17 cm  
(2 support arms) Weight 18 kg

**Shield canopy PT/L 190** Dimensions 190 x 95 x 17 cm  
(3 support arms) Weight 20 kg

**Shield canopy PT/ET 270** Dimensions 270 x 95 x 17 cm  
(3 support arms) Weight 29 kg

**Shield canopy PT/XL 205** Dimensions 205 x 142 x 25 cm  
(2 support arms) Weight 42 kg

Cover all models Acrylic glass 4 mm clear or white satin

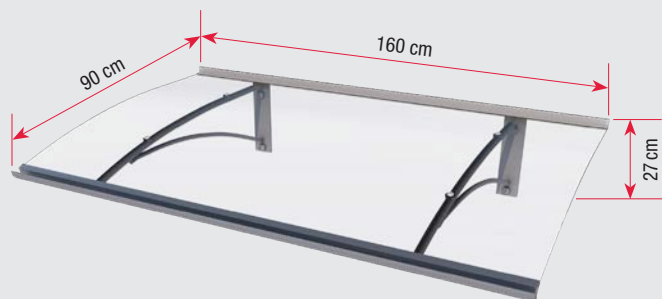
Part numbers 7311103 - 7311406

- ▶ Matt stainless steel frame with integrated gutter
- ▶ Transparent or satin white acrylic glass
- ▶ 75 kg/sq m snow load tested
- ▶ Contains mounting materials for solid masonry
- ▶ Matching side panel PT/L | PT/XL (page 42/43)

Made  
in  
Germany



## Shield canopy PT/G



### Shield canopy PT/G

The PT/G is a high-quality, slightly curved shield canopy with a modern, sleek design.

The combination of powder-coated aluminium and clear acrylic glass gives the shield canopy PT/G its exceptionally high durability and an elegant look.

#### Technical data

Dimensions	160 x 90 x 27 cm
Cover	Acrylic glass 4 mm clear
Support/frame	Aluminium stainless steel look
Weight	15 kg
Part number	7200503

- ▶ Powder-coated aluminium frame
- ▶ Transparent acrylic glass cover
- ▶ Contains mounting materials for solid masonry
- ▶ 75 kg/sq m snow load tested
- ▶ Matching side panel PT/G (page 42/43)
- ▶ Optional connecting set for 2 or more canopies

Made  
in  
Germany



# Shield canopy PT/GR



▶ PT/GR anthracite

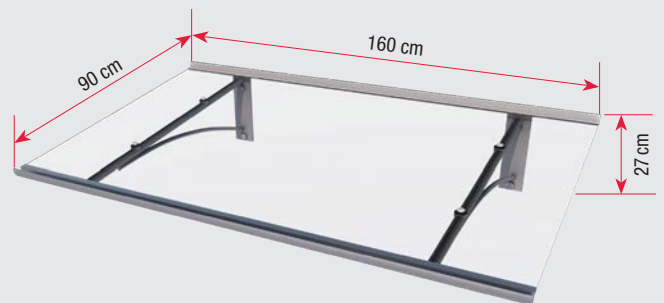
## Shield canopy PT/GR

The PT/GR is a high-quality, straight shield canopy with a modern and sleek design.

The combination of powder-coated aluminium and clear acrylic glass gives the shield canopy PT/GR its exceptionally high durability and an elegant look.

### Technical data

Dimensions	160 x 90 x 27 cm
Cover	Acrylic glass 4 mm clear
Support/frame	Aluminium stainless steel look
Weight	15 kg
Part numbers	7200533 - 7200536



▶ PT/GR stainless steel look

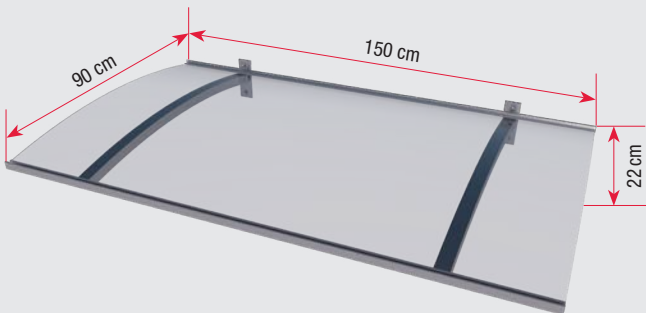
- ▶ Powder-coated aluminium frame
- ▶ Transparent acrylic glass cover
- ▶ Contains mounting materials for solid masonry
- ▶ 75 kg/sq m snow load tested
- ▶ Matching side panel PT/GR (page 42/43)
- ▶ Optional connecting set for 2 or more canopies

Made  
in  
Germany



▶ PT/LED white

## Shield canopy PT/LED



**LED light technology**  
**Energy efficiency class G**  
 Environmentally friendly & cost-cutting

### Shield canopy LED

Illuminate your entrance with decorative lighting without additional exterior lights with integrated energy-saving LED lighting technology in the canopy.

The slightly curved shield canopy consists of powder-coated aluminium with an integrated gutter and a high-quality acrylic glass cover.

#### Technical data

Dimensions	150 x 90 x 22 cm
Cover	Acrylic glass 3 mm clear
Support/frame	Aluminium white or stainless steel look
Weight	9.5 kg
Part numbers	7200203 - 7200233

- ▶ Aluminium supports with integrated gutter
- ▶ Transparent acrylic glass cover
- ▶ LED transformer 230 volt/12 V cable length to transformer each approx. 3 m
- ▶ 2 LED strips 4.5 W approx. 300 lm light colour 4,000 K
- ▶ Contains mounting materials for solid masonry
- ▶ 75 kg/sq m snow load tested

Made in Germany



▶ PT/LED stainless steel look



▶ PT/Secco 200 anthracite

## Shield canopy PT/Secco

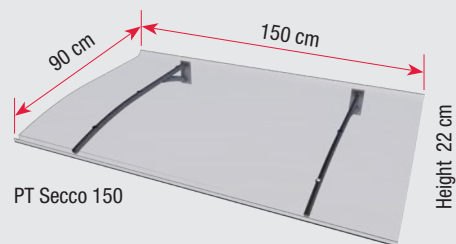
### Shield canopy PT/Secco

The PT Secco shield canopy in its sleek and timeless modern form is an ideal, eye-catching feature that protects your entrance.

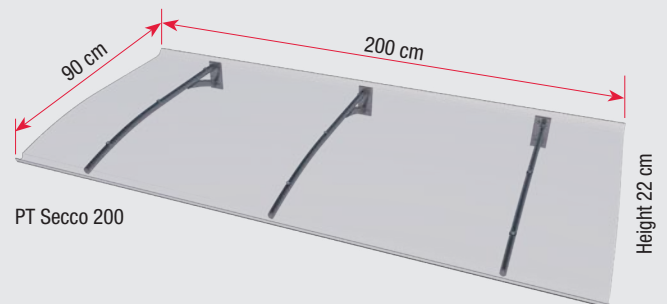
The sturdy combination of powder-coated aluminium and highly robust polycarbonate with integrated gutter offers excellent weather protection, even against hail.

#### Technical data

<b>Shield canopy PT/Secco 150</b> (2 support arms)	Dimensions	150 x 90 x 22 cm
	Weight	12 kg
<b>Shield canopy PT/Secco 200</b> (3 support arms)	Dimensions	200 x 90 x 22 cm
	Weight	16 kg
Support	Aluminium stainless steel look or anthracite	
Cover all models	Polycarbonate 3 mm clear	
Part numbers	7200303 - 7200356	



PT Secco 150



PT Secco 200

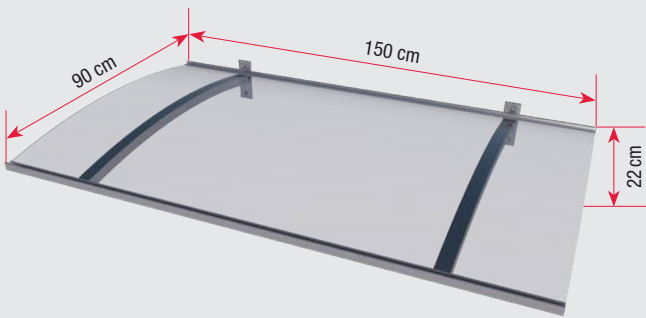
▶ PT/Secco 150 stainless steel look

- ▶ Powder-coated aluminium supports
- ▶ Cover made of clear polycarbonate with gutter
- ▶ Available in two widths
- ▶ Contains mounting materials for solid masonry
- ▶ 75 kg/sq m snow load tested

Made  
in  
Germany



# Shield canopy PT/LD



## Shield canopy LD

The shield canopy PT/LD with its modern and sophisticated square tubing support arms in a stainless steel look is the ideal eye-catching feature that protects your entrance.

The combination of powder-coated aluminium and clear acrylic glass gives the PT/LD canopy a high degree of durability in addition to an elegant look.

### Technical data

Dimensions	150 x 90 x 22 cm
Cover	Acrylic glass 3 mm clear
Support/frame	Aluminium white or stainless steel look
Weight	9.5 kg
Part number	7200803

- ▶ Aluminium supports with integrated gutter
- ▶ Transparent acrylic glass cover
- ▶ Contains mounting materials for solid masonry
- ▶ 75 kg/sq m snow load tested

Made  
in  
Germany



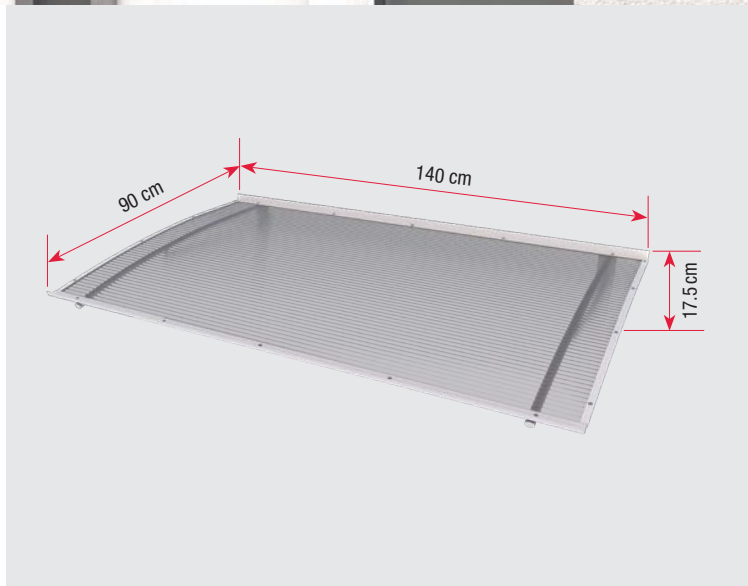


# Promo shield canopy

## Promo shield canopy

The affordable canopy for any budget. Powder-coated aluminium structure with robust polycarbonate twinwall sheet.

Technical data	
Dimensions	140 x 90 x 17.5 cm
Cover	Polycarbonate twinwall sheet 4 mm clear
Support/frame	Aluminium white
Weight	7 kg
Part number	7200703



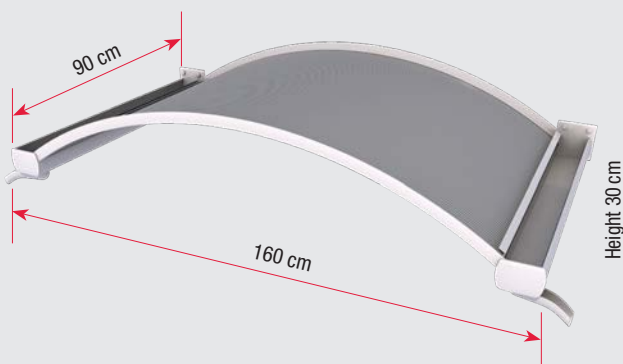
- ▶ Aluminium support/frame with gutter
- ▶ Polycarbonate twinwall sheet clear cover
- ▶ Contains mounting materials for solid masonry
- ▶ 75 kg/sq m snow load tested

Made in Germany



▶ NO bronze white

## Round arch canopy NO



### Round arch canopy NO

Make your mark on your entrance with the white arched canopy NO. The elegant canopy consists of a sturdy frame made of powder-coated aluminium and a robust polycarbonate twinwall sheet as a cover. Gutters attached to both sides provide added form and functionality.

#### Technical data

Dimensions	160 x 90 x 30 cm
Cover	Polycarbonate twinwall sheet 6 mm clear or bronze
Frame	Aluminium white, stainless steel look or brown
Weight	20 kg
Part numbers	7210103 - 7210153

- ▶ Powder-coated aluminium frame
- ▶ Polycarbonate twinwall sheet cover
- ▶ Contains mounting materials for solid masonry
- ▶ 75 kg/sq m snow load tested
- ▶ Matching side panels B1 twinwall sheets or B2 twin wall sheets (page 42/43)

▶ NO clear stainless steel look

Made  
in  
Germany



▶ Arched canopy LED stainless steel look

## Arched canopy LED

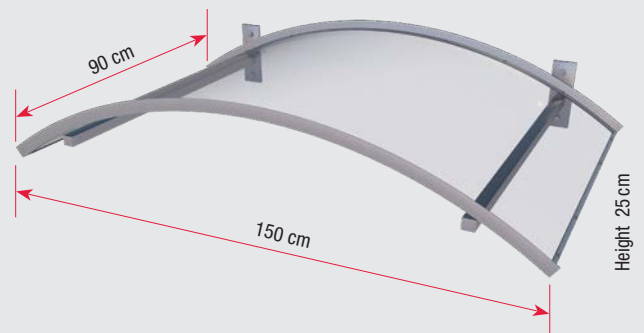
### Arched canopy LED

Illuminate your entrance with decorative lighting without additional exterior lights with integrated energy-saving LED lighting technology in the canopy.

The arched canopy is made of powder-coated aluminium and a robust polycarbonate cover.

#### Technical data

Dimensions	150 x 90 x 25 cm
Cover	Polycarbonate 3 mm clear
Support/frame	Aluminium white or stainless steel look
Weight	9.5 kg
Part numbers	7210203 - 7210233



**LED light technology**  
**Energy efficiency class G**  
 Environmentally friendly & cost-cutting

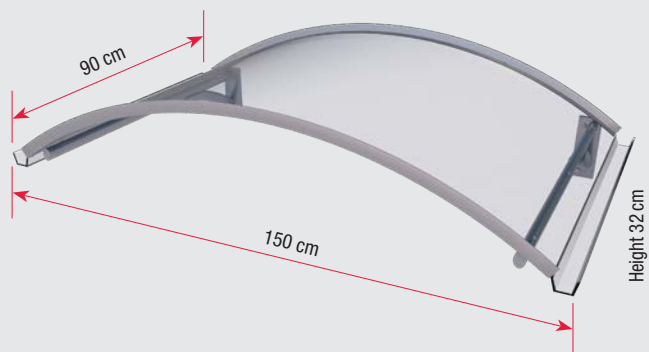
▶ Arched canopy LED white

- ▶ Powder-coated aluminium frame
- ▶ Transparent polycarbonate cover
- ▶ LED transformer 230 volt/12 volt cable length to transformer each approx. 3 m
- ▶ 2 LED strips 4.5 W approx. 300 lm light colour 4,000 k
- ▶ Contains mounting materials for solid masonry
- ▶ 75 kg/sq m snow load tested
- ▶ Pre-assembled

Made in Germany



## Arched canopy BV/Secco



### Arched canopy BV Secco

The arched canopy BV/Secco in its sleek and timeless modern form is an ideal, eye-catching feature that protects your entrance.

The combination of powder-coated aluminium and robust polycarbonate with an integrated gutter offers excellent weather protection, even against hail.

#### Technical data

Dimensions	150 x 90 x 32 cm
Cover	Polycarbonate 3 mm clear
Support/frame	Aluminium stainless steel look
Weight	12 kg
Part number	7210303

- ▶ Powder-coated aluminium supports
- ▶ Transparent polycarbonate cover with integrated gutters
- ▶ Contains mounting materials for solid masonry
- ▶ 75 kg/sq m snow load tested

Made  
in  
Germany



▶ OV/B 160



## Oval arched canopy OV/B

### Oval arched canopy OV/B

The canopy for the classic all-white look - the oval arched canopy OV/B. The elegant, forward-arching roof consists of a sturdy frame made of powder-coated aluminium and a white acrylic panel as a cover.

Gutters attached to both sides provide added form and functionality.

#### Technical data

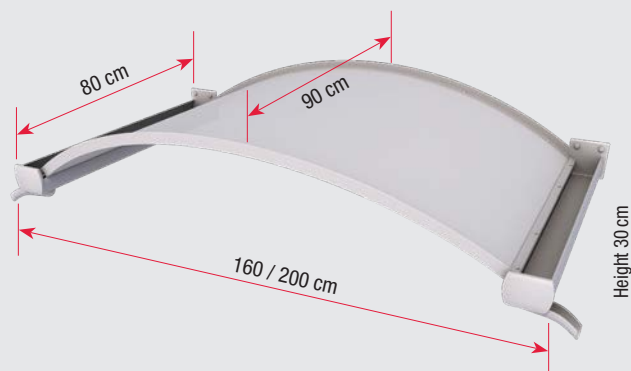
<b>Oval arched canopy OV/B 160</b>	Dimensions	160 x 90 x 30 cm
	Weight	13 kg

<b>Oval arched canopy OV/B 200</b>	Dimensions	200 x 90 x 30 cm
	Weight	16 kg

Frame Aluminium white

Cover all models ABS/acrylic plate 4 mm white opaque

Part numbers 7210503 - 7210506



▶ OV/B 200



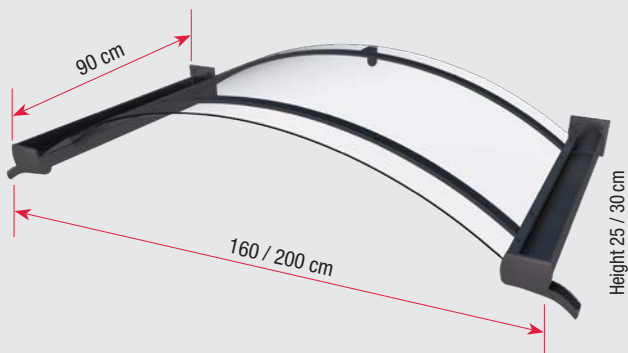
- ▶ Powder-coated aluminium frame
- ▶ Cover ABS/acrylic plate white opaque (impervious to light)
- ▶ Contains mounting materials for solid masonry
- ▶ 75 kg/sq m snow load tested
- ▶ Matching side panels B1 acrylic, B1 twinwall sheet or B2 twinwall sheet (page 42/43)

Made in Germany



▶ BV/B 160 anthracite

## Arched canopy BV/B



### Arched canopy BV/B

Make your home entrance stand out with the elegant and extraordinary design of the arched canopy BV/B. The elegant roof consists of a filigree frame with gutters on both sides made of powder-coated aluminium and a transparent acrylic panel as a cover.

#### Technical data

<b>Arched canopy BV/B 160</b>	Dimensions	160 x 90 x 25 cm
	Weight	17 kg

<b>Arched canopy BV/B 200</b>	Dimensions	200 x 90 x 30 cm
	Weight	20 kg

Frame	Aluminium white, stainless steel look or anthracite
-------	---

Cover all models	Acrylic glass 4 mm clear
------------------	--------------------------

<b>Part numbers</b>	<b>7210403 - 7210466</b>
---------------------	--------------------------

- ▶ Powder-coated aluminium frame
- ▶ Transparent acrylic glass cover
- ▶ Pre-assembled
- ▶ Contains mounting materials for solid masonry
- ▶ 75 kg/sq m snow load tested
- ▶ Matching side panels B1 acrylic (page 42/43)

Made  
in  
Germany



▶ BV/B 200 stainless steel look









**HD safety glass clear (ESG)**

60 x 185 cm glass  
60 x 200 cm with stainless steel base

Goes with all HD series clear stainless steel canopies

Part number 7400202



**HD safety glass frosted (ESG)**

60 x 185 cm glass  
60 x 200 cm with stainless steel base

Goes with all HD series frosted stainless steel canopies

Part number 7400203

We offer a wide range of suitable side panels adapted to the respective canopy in both colour and shape. The choice is yours. Delivered with full mounting accessories and detailed instructions for simple installation.

All of the models depicted are available in various colours matching the respective types of canopy.

Made in Germany



**PT/ET acrylic**

30 x 60 x 185 cm, clear

Goes with: Shield canopy PT/ET

Part number 7220103



**PT/L acrylic**

32 x 62 x 167 cm, clear or white satin

Goes with: Shield canopy L

Part numbers 7313103, 7313106



**PT/XL acrylic**

55 x 85 x 167 cm, clear or white satin

Goes with: Shield canopy XL

Part numbers 7313203, 7313206



**B1 acrylic**

45 x 60 x 200 cm, stainless steel look, white or anthracite

Goes with:

**Rectangular canopy NM, oval arched canopy OV/B, arched canopy RV/B, gable canopy GV/T**

**Part numbers**

**7220145 - 7220201**



**B1 twinwall sheet**

45 x 60 x 200 cm, clear or bronze white, stainless steel look, anthracite, brown

Goes with: **Rectangular canopy NM, round arch canopy NO, oval arched canopy OV/B**

**Part number**

**7220133 - 7220198**



**B2 twinwall sheet**

45 x 60 x 175 cm, clear or bronze white, stainless steel look, anthracite, brown

Goes with: **Rectangular canopy NM, round arch canopy NO, oval arched canopy OV/B**

**Part number**

**7220139 - 7220204**



**PT/G acrylic**

30 x 60 x 185 cm, clear

Goes with:

**Shield canopy PT/G**

**Part number**

**7220189**



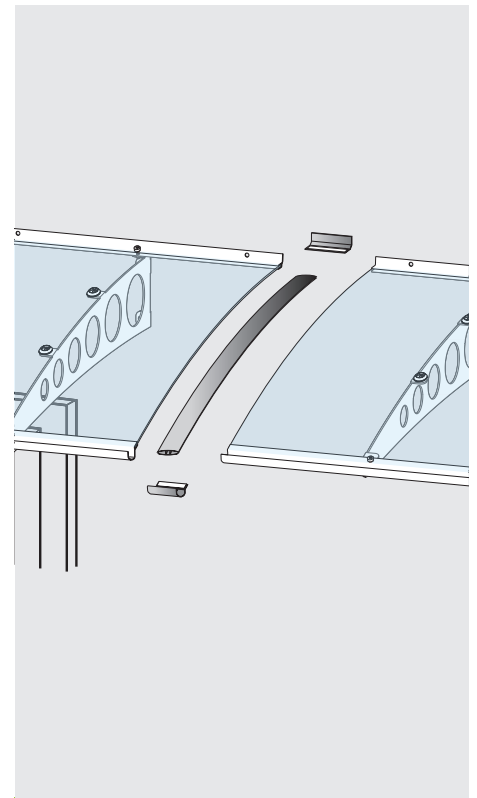
**PT/GR acrylic**

30 x 60 x 185 cm, clear, stainless steel look or anthracite

Goes with: **Shield canopy PT/GR**

**Part number**

**7220192, 7220207**



**Canopy connecting set**

This set enables a direct, gapless connection between two or multiple canopies.

Suitable for: **Shield canopies PT/G, PT/GR, PT/ET**

**Part number**

**7200903, 7200906**



Motifs and models are subject to change. The accessories shown are not included in the scope of delivery. The side panels displayed are available separately as custom accessories. All values and measurements are approximate. Colours shown may differ from the original colours due to printing. Subject to technical changes.

Visit us on social media:

**gutta**<sup>®</sup>

Gutta Werke GmbH | Bahnhofstraße 51-57 | D-77746 Schutterwald | [www.gutta.com](http://www.gutta.com)

4 0034 12 11064581  
Brochure No.: 9503103  
D - 48/2021 - 5 - 0P